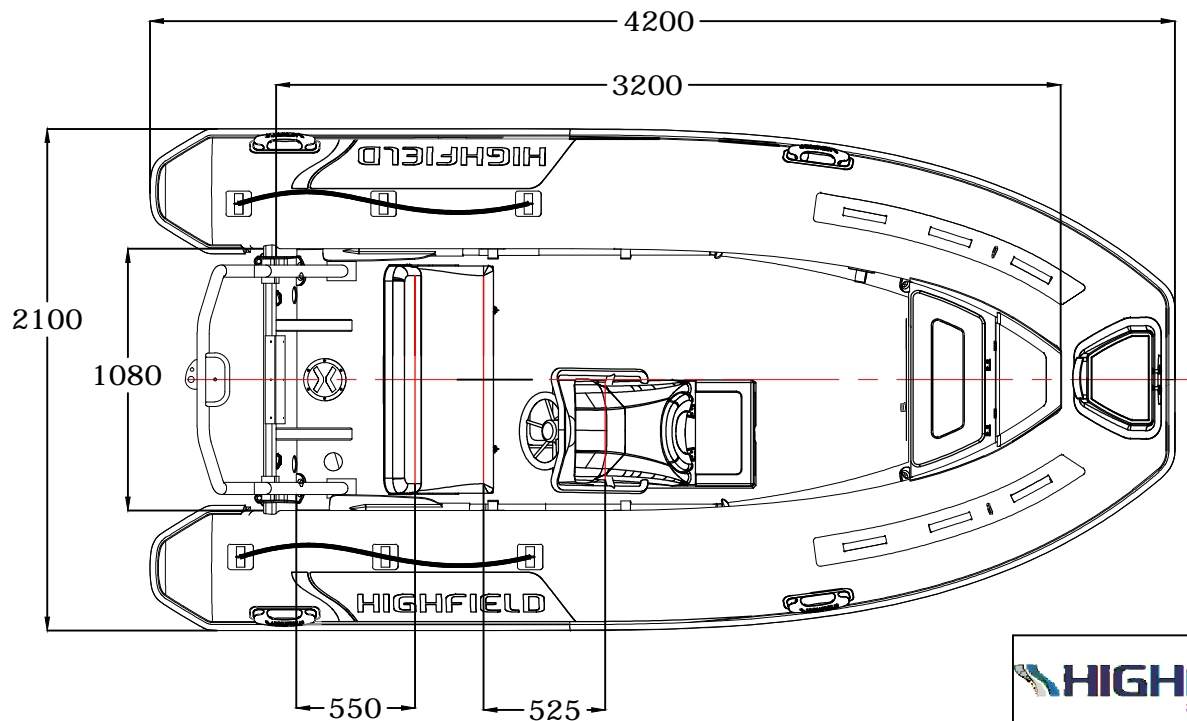



### SPECIFICATION

Length	420cm
Beam	210cm
Inside Length	320cm
Inside Width	108cm
Weight	204Kg
Deadrise	20°
Max Pax	8
Max Load	850Kg
Recommended HP	40
Max HP	60
Shaft	Long
Tube $\phi$	47cm
Airtight Chambers	4



	OM 420	DWN: QSW	
	GENERAL ARRANGEMENT	APPROVED: LXL	
info@highfieldboats.com	DWG:	SCALE:	DATE: 2016.09.08
(C) Copyright reserved. No unauthorized use allowed. All intellect - ideas - concepts remain the property of Highfield Boats			